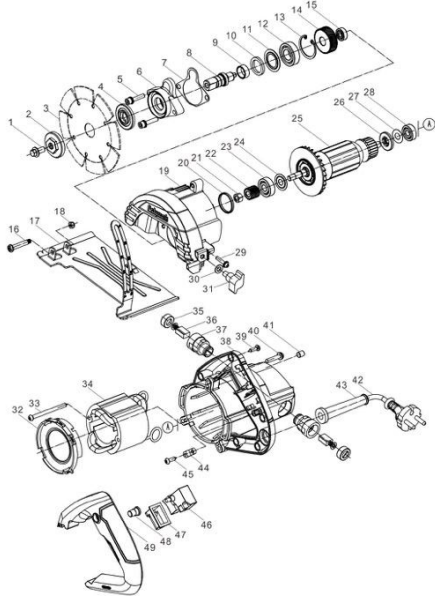


Polymak®

PMCM415 110MM MARBLE CUTTER

Blade dia.:	110-125mm
No load speed:	12000r/min
Power:	1250W
Net weight:	2.9KG



www.polymak.co.in

Polymak®

PMCM415 SPARE PARTS LIST

No	Parts Name	Pcs	Seri No	INR	No	Parts Name	Pcs	Seri No	INR
1	Bolt M8x18 -Left	1			38	Motor housing	1		
2	Outer Flange	1			39	Screw ST4X16	5		
3	Saw	1			40	Screw M5x30	3		
4	Inner Flange	1			41	Screw M5x8	1		
5	Bolt M5x25	2			42	Power cord	1		
6	Bearing holder	1			43	Cord guard	1		
7	Sealing plate	1			44	Wire plate	1		
8	Output shaft	1			45	Screw ST4X14	2		
9	Gasket	1			46	Switch	1		
10	Baize circle	1			47	Switch rubber cover	1		
11	Washer	1			48	Self lock rubber cover	1		
12	6002 bearing	1			49	Handle cover	1		
13	Spring ring 32	1							
14	Big gear	1							
15	606 bearing	1							
16	Bolt M6x37	1							
17	Base	1							
18	Nut M6	1							
19	Gear cover	1							
20	O ring	1							
21	Nut M7	1							
22	Small gear	1							
23	629 bearing	1							
24	Washer	1							
25	Armature	1							
26	Dust sealing	1							
27	Washer	1							
28	608 bearing	1							
29	Screw M4x12	1							
30	Plate washer	1							
31	Adjust screw	1							
32	Fan guid	1							
33	Screw ST4X60	2							
34	Stator	1							
35	Brush cap	2							
36	Carbon brush	2							
37	Brush holder	2							