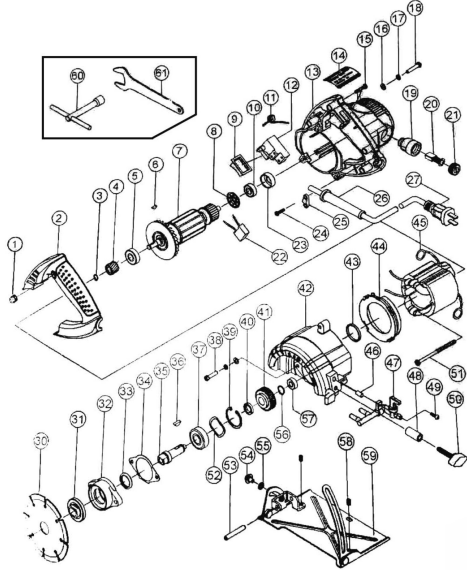


Polymak®



PMCM5 MARBLE CUTTER
 Blade diameter: 110-125mm
 No load speed: 12000r/min
 Power: 1400W
 Net weight: 3.1KG



www.polymak.co.in

Polymak®

PMCM5 SPARE PARTS LIST

No	Parts Name	Pcs	Seri No	INR	No	Parts Name	Pcs	Seri No	INR
1	Knob	1			38	Screw	3		
2	Handle Cover	1			39	Washer	1		
3	Washer	1			40	Washer	1		
4	Small Gear	1			41	Big Gear	1		
5	629 Bearing	1			42	Gear Box	1		
6	Woodruff Key	1			43	Circle	1		
7	Armature	1			44	Fan Guide	1		
8	Dustproof Cover	1			45	Field	1		
9	Rubber Suit	1			46	Pin	1		
10	608 Bearing	1			47	Tap	1		
11	Inductance	2			48	Bushing	1		
12	Switch	1			49	Screw	1		
13	Motor Housing	1			50	Long Knob	1		
14	Brand	1			51	Screw	2		
15	Screw	4			52	Washer	1		
16	Paint Washer	5			53	Pin	1		
17	Washer	5			54	Nut	1		
18	Screw	3			55	Washet	1		
19	Brush Holder	2			56	Washet	1		
20	Carbon Brush	2			57	608 Bearing	1		
21	Bush Cap	2			58	Screw	2		
22	Capacitive	1			59	Plate	1		
23	Bearing Sleeve	1			60	Wrench	1		
24	Screw	2			61	Wrench	1		
25	Cord Clip	1							
26	Cord Sleeve	1							
27	Cord Plug	1							
28	Nut	1							
29	Outer Flange	1							
30	Blade	1							
31	Iner Flange	1							
32	Front Cover	1							
33	Sealed Circle	1							
34	Paper Washer	1							
35	Spindle	1							
36	Woodruff Key	1							
37	6201 Bearing	1							