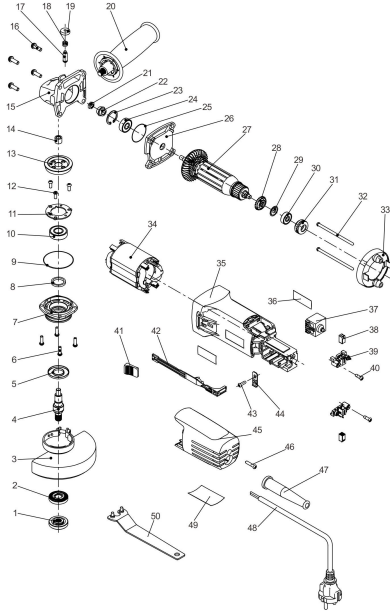


Polymak



www.polymak.co.in

Polymak

SPARE PARTS LIST

No	Parts Name	Pcs	Seri No	INR	No	Parts Name	Pcs	Seri No	INR
1	Inner Flang	1			38	Carbon Brush	2		
2	Outer Flange	1			39	Brush Box	2		
3	Wheel Guard	1			40	Screw S4x12	2		
4	Shaft	1			41	Pushing Block	2		
5	Dustproof Cover	1			42	Pushing Rod	1		
6	Screw M4x13	4			43	Screw S4x14	1		
7	Front Cover	1			44	Pressing Line Plate	1		
8	Wool Ring	1			45	Rear Cover	1		
9	Ring	1			46	Screw S4x12	2		
10	6001 Bearing	1			47	Cable Protector	1		
11	Bearing Cover	1			48	Cable	1		
12	Screw M4x10	3			49	Brand	1		
13	Gear Wheel	1			50	Wrench	1		
14	Needle Bearing	1							
15	Gear Box	1							
16	Screw S15x25	4							
17	Selflock Pin	1							
18	Spring	1							
19	Selflock Pin Cap	1							
20	Side Hangle	1							
21	Nut	1							
22	Pinion	1							
23	Circlip For Hole	1							
24	Bearing 608	1							
25	Circlip Φ29.4*0.75	1							
26	Middle Plate	1							
27	Armature	1							
28	Dustproof Ring	1							
29	Spacer	1							
30	Bearing 625	1							
31	Bearing Sleeve	1							
32	Screw S4x75	1							
33	Windshield	1							
34	Stator	1							
35	Housing	1							
36	Brand	1							
37	Switch	1							