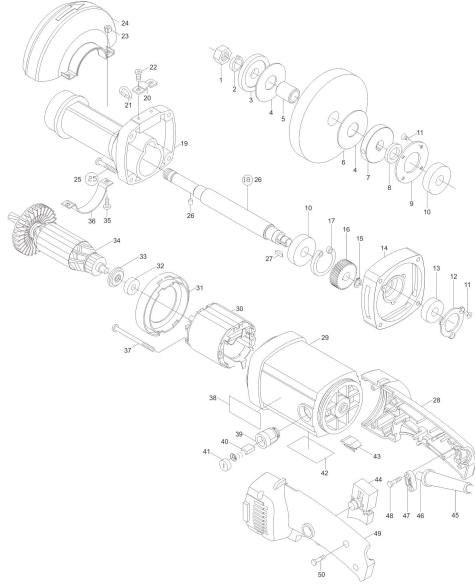


# Polymak

**PMSG6** 150MM(6") STRAIGHT GRINDER  
 Max. disc dia.: 150mm  
 No load speed: 5000r/min  
 Power: 950W  
 Net weight: 4.8KG



www.polymak.co.in

# Polymak

## PMSG6 SPARE PARTS LIST

No	Parts Name	Pcs	Seri No	INR	No	Parts Name	Pcs	Seri No	INR
1	Nut	1			39	Brush Holder	2		
2	Spring Washer	1			40	Carbon Brush	2		
3	Outer Flange	1			41	Brush Holder Cap	2		
4	Paper Washer	2			42	Label	2		
5	Plastic Tube(small)	1			43	Quadrat	1		
6	Wheel	1			44	Dc Switch	1		
7	Inner Flange	1			45	Cord Guard	1		
8	Harness For Spindle	1			46	Cord	1		
9	Retaining Bearing Cover	1			47	Strain Relief	1		
10	Ball Bearing	1			48	Tapping Screw	2		
11	P.h. Screw	7			49	Handle (left)	1		
12	Retaining Bearing Cover	1			50	Tapping Screw	4		
13	Ball Bearing 6201-2z	1							
14	Mild Cover	1							
15	Shaft Retaining Ring	1							
16	Gear	1							
17	Washer For The Hole	1							
18	Spindle	1							
19	Head Case	1							
20	Pressure Plate With Button	1							
21	Flying Rings	1							
22	Screw	2							
23	Nut	2							
24/36	Wheel Guard	1							
25	P.h Screw	4							
26	Cylindric Pin	1							
27	Square Key	1							
28	Handle (right)	1							
29	Moror Housing	1							
30	Stator	1							
31	Baffle Plate	1							
32	Ball Bearing 608-2z	1							
33	Insulation Washer	1							
34	Armature	1							
35	Cross Tapping Head Screw	2							
37	Cross Hex Screw	2							
38	Nameplate	1							