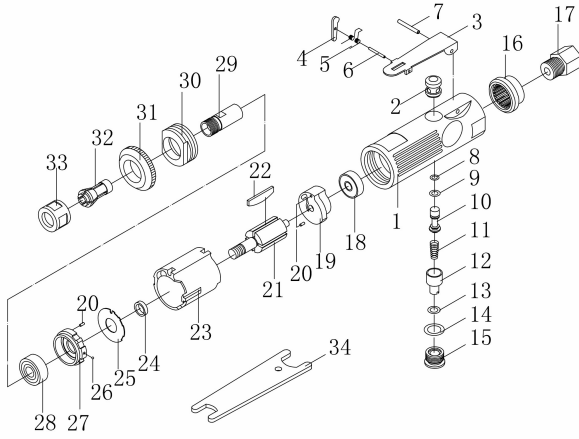


Polymak®

PM-PD66 PNEUMATIC 6"
DIE GRINDER

Grinder cap: 1/4"(6mm)
Free Speed: 25,000RPM
Air Inten(NPT): 1/4"
Avg. Air Consumption: 4.5cfm
Air Hose(ID): 3/8"
Max Working Pressure: 90PSI



www.polymak.co.in

Polymak®

PM-PD66 SPARE PARTS LIST

No	Parts Name	Pcs	Seri No	INR	No	Parts Name	Pcs	Seri No	INR
1	Housing	1							
2	Valve Bushing	1							
3	Trigger	1							
4	Trigger Pin	1							
5	Spring	1							
6	Bolt	1							
7	Trigger Pin	1							
8	O-ring	1							
9	O-ring	1							
10	Valve stem	1							
11	Spring	2							
12	Air regulator	1							
13	O-ring	1							
14	O-ring	1							
15	Screw cap	4							
16	Muffle cover	5							
17	Air inlet	5							
18	Bearing	3							
19	End Plate	2							
20	Steel ball	2							
21	Rotor	2							
22	Rotor Blade	1							
23	Cylinder	1							
24	Bushing	2							
25	Washer	1							
26	Front plate	1							
27	Bolt	1							
28	Bearing	1							
29	Chuck seat	1							
30	Retainer Ring	1							
31	Front jacket	1							
32	Chuck	1							
33	Chuck Screw	1							
34	Wrench	1							
35		1							
36		1							
37		1							