

Polymak[®]

ROTARY HAMMER

22mm

INSTRUCTION MANUAL

Polymak[®]

Polymak Tools(India)Pvt.Ltd

186/187, P.H Road,Alsa Towers,Kilpauk,
Chennai – 600 010,

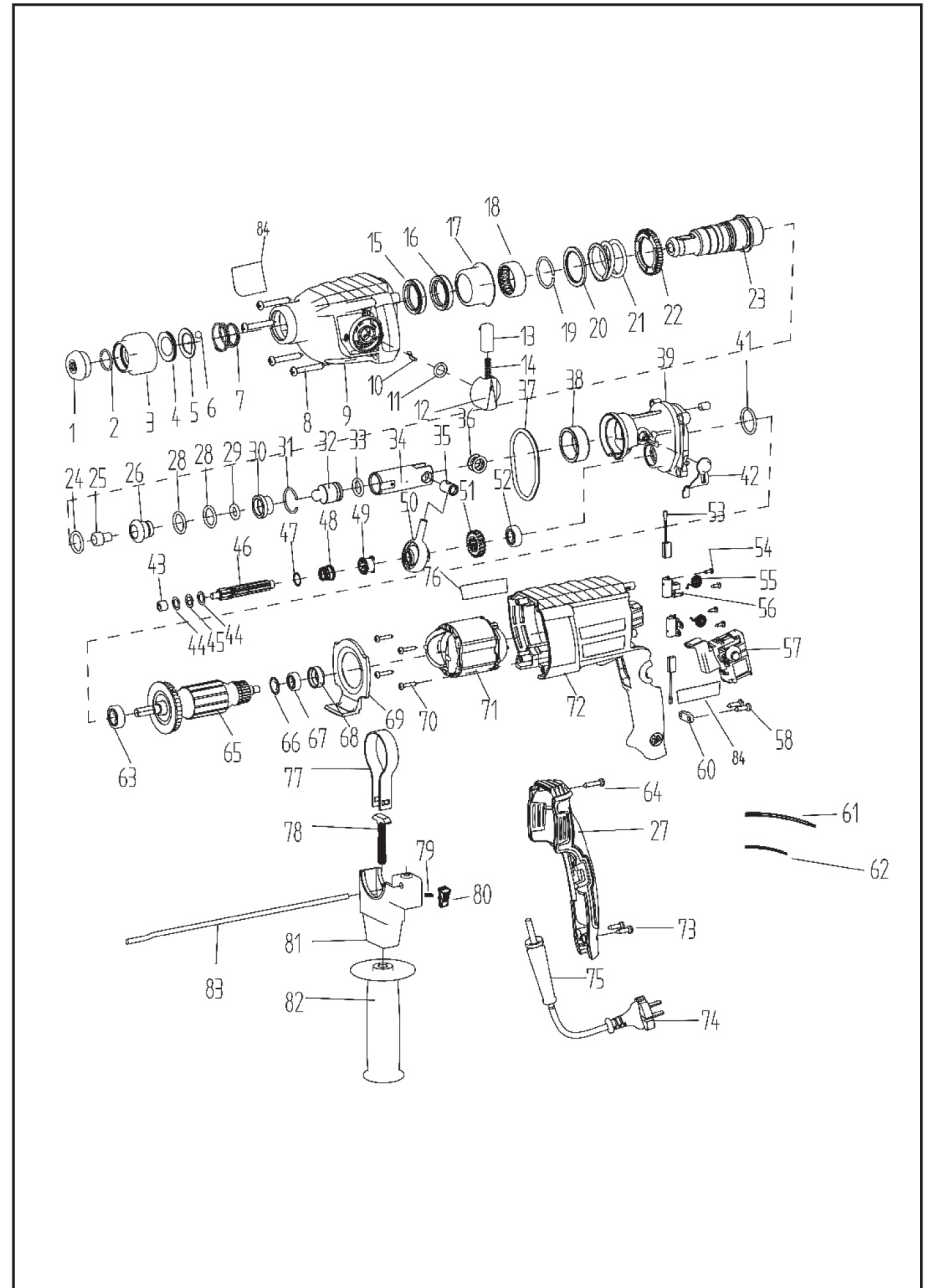
Tel. : +044-48631869

E-mail : info@polymak.co.in

Visit us at : www.polymak.co.in



Read and follow all safety precautions in instruction manual.



PM22RH ROTARY HAMMER SPARE PARTS LIST

| No | Name | Qty | No | Name | Qty |
|----|---------------------------|-----|----|--------------------------|-----|
| 1 | 20 dust cover | 1 | 43 | needle roller | 1 |
| 2 | snap ring | 1 | 44 | needle roller washer | 1 |
| 3 | card cover | 1 | 45 | Flat roller bearing | 1 |
| 4 | Iron Ring | 1 | 46 | intermediate shaft | 1 |
| 5 | gasket | 1 | 47 | clutch spring washer | 1 |
| 6 | steel ball | 1 | 48 | clutch spring | 1 |
| 7 | spring | 1 | 49 | clutch | 1 |
| 8 | screw | 4 | 50 | rocker bearing | 1 |
| 9 | gear box | 1 | 51 | small gear | 1 |
| 10 | iron core | 1 | 52 | bearing | 1 |
| 11 | o-ring | 1 | 53 | carbon brush | 2 |
| 12 | Shifting stall knob | 1 | 54 | screw | 4 |
| 13 | knob | 1 | 55 | spring | 2 |
| 14 | spring | 1 | 56 | carbon brush holder | 2 |
| 15 | Baize circle | 1 | 57 | Switch | 1 |
| 16 | oil seal ring | 1 | 58 | screw | 2 |
| 17 | Tensile set | 1 | 59 | oil | 1 |
| 18 | needle roller bearing | 1 | 60 | tension disc | 1 |
| 19 | Shaft wire retaining ring | 1 | 61 | Connection wire 115MM | 2 |
| 20 | Teleflex gasket | 1 | 62 | Connection wire 70MM | 2 |
| 21 | teleflex spring | 1 | 63 | bearing | 1 |
| 22 | big gear | 1 | 64 | screw | 1 |
| 23 | teleflex | 1 | 65 | rotor | 1 |
| 24 | hammer rod o-ring | 1 | 66 | Dustproof plastic gasket | 1 |
| 25 | 20 Hammer rod | 1 | 67 | Bearing | 1 |
| 26 | 20 Hammer rod sleeves | 1 | 68 | bearing sleeve | 1 |
| 27 | rear cover | 1 | 69 | Guide air gasket | 1 |
| 28 | Hammer rod sleeves o-ring | 2 | 70 | screw | 4 |
| 29 | o-ring | 1 | 71 | stator | 1 |
| 30 | 20 o-ring | 1 | 72 | plastic case | 1 |
| 31 | Steel Cable Baffle Ring | 1 | 73 | screw | 2 |
| 32 | 20 piston | 1 | 74 | cable | 1 |
| 33 | piston O-ring | 1 | 75 | cable protective sleeve | 1 |
| 34 | 20 aluminum cylinder | 1 | 76 | | |
| 35 | 20 cylinder pin | 1 | 77 | iron ring | 1 |
| 36 | pin cylinder gasket | 2 | 78 | T screw | 1 |
| 37 | oil seal o-ring | 1 | 79 | fastener spring | 1 |
| 38 | stents bushing | 1 | 80 | fastener | 1 |
| 39 | aluminum bracket | 1 | 81 | handle seat | 1 |
| 40 | oil | 1 | 82 | Anxiliary handle | 1 |
| 41 | bearing O-ring | 1 | 83 | Depth gauge | 1 |
| 42 | Iron dial the twist | 1 | 84 | capacitance | 1 |

Hammer Safety Warnings

- ▶ **Wear ear protectors.** Exposure to noise can cause hearing loss.
- ▶ **Use auxiliary handle(s), if supplied with the tool.** Loss of control can cause personal injury.
- ▶ **Hold the tool by the insulated gripping surfaces when performing operations where the application tool or the screw could contact hidden wiring or its own power cord.** Contact with a "live" wire will also make exposed metal parts of the power tool "live" and shock the operator.

Additional Safety and Working Instructions

- ▶ **Observe the mains voltage!** The voltage of the power source must correspond with the data on the type plate of the machine.
 - ▶ **Use appropriate detectors to determine if utility lines are hidden in the work area or call the local utility company for assistance.** Contact with electric lines can lead to fire and electric shock. Damaging a gas line can lead to explosion. Penetrating a water line causes property damage.
 - ▶ **Firmly tighten the auxiliary handle, hold the machine firmly with both hands while working and keep proper footing and balance at all times.** The machine is securely guided with both hands.
 - ▶ **Secure the workpiece.** A workpiece clamped with clamping devices or in a vice is held more secure than by hand.
 - ▶ To save energy, only switch the power tool on when using it.
 - ▶ For drilling without impact in wood, metal, ceramic and plastic as well as for screwdriving, tools without SDS-plus are used (e.g., drills with cylindrical shank). For these tools, a keyless chuck or a key type drill chuck are required.
 - ▶ The quick change chuck is automatically locked. Check the locking effect by pulling the quick change chuck.
 - ▶ **Inserting SDS-plus Drilling Tools:** Check the latching by pulling the tool.
 - ▶ **Replace a damaged dust protection cap immediately.** The dust protection cap largely prevents the penetration of drilling dust into the tool holder during operation. When inserting the tool, pay attention that the dust protection cap is not damaged.
 - ▶ **Dusts from materials such as lead-containing coatings, some wood types, minerals and metal can be harmful to one's health and cause allergic reactions, lead to respiratory infections and/or cancer.** Materials containing asbestos may only be worked by specialists.
 - As far as possible, use a dust extraction system suitable for the material.
 - Provide for good ventilation of the working place.
 - It is recommended to wear a P2 filter-class respirator.
- Observe the relevant regulations in your country for the materials to be worked.

- ▶ **Prevent dust accumulation at the workplace.** Dusts can easily ignite.
- ▶ **If the application tool should become blocked, switch the machine off. Loosen the application tool.**
- ▶ **Before switching on the power tool, make sure that the application tool moves freely.** When switching on with a blocked drilling tool, high torque reaction can occur.
- ▶ **Always wait until the machine has come to a complete stop before placing it down.** The tool insert can jam and lead to loss of control over the power tool.

Symbols

The following symbols are important for reading and understanding the operating instructions. Please take note of the symbols and their meaning. The correct interpretation of the symbols will help you to use the machine in a better and safer manner.

| Symbol | Meaning |
|--|---|
|  | PM22RH Rotary Hammer |
|  | Read all safety warnings and all instructions |
|  | Before any work on the machine itself, pull the mains plug from the socket outlet |
|  | Wear protective gloves |
|  | Always wear ear protection. |

Mounting and Operation

The following table indicates the action objectives for mounting and operation of the power tool. The instructions for each action objective are shown aside. Depending on the type of application, various instruction combinations are required. Observe the safety instructions.

| Action | Figure | Please observe |
|------------------------------------|--------|----------------|
| Selecting a drill chuck | 1 | |
| Removing the Quick Change Chuck | 2 | |
| Inserting the Quick Change Chuck | 3 | |
| Inserting SDS-plus Drilling Tools | 4 | |
| Removing SDS-plus Drilling Tools | 5 | |
| Inserting the Key Type Drill Chuck | 6 | |

| Action | Figure | Please observe |
|---|--------|----------------|
| Inserting the Keyless Chuck | 7 | |
| Inserting round shank applications tools | 8 | |
| Selecting the operating mode and rotation direction | 9 | |
| Changing the chisel position (Vario-Lock) | 10 | |
| Changing the position of the auxiliary handle | 11 | |
| Adjusting the drilling depth X | 12 | |
| Mounting the extraction system (Saugfix) | 13 | |
| Switching on and off and setting the speed | 14 | |
| Locking-on the On/Off switch | 15 | |
| Releasing the On/Off switch | 16 | |
| Selecting Accessories | - | |

Maintenance and Cleaning

► For safe and proper working, always keep the machine and ventilation slots clean.